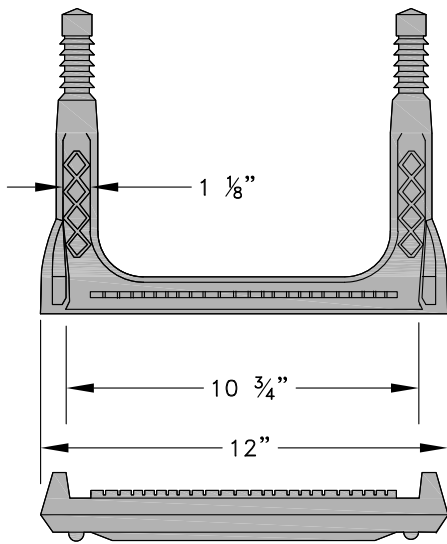
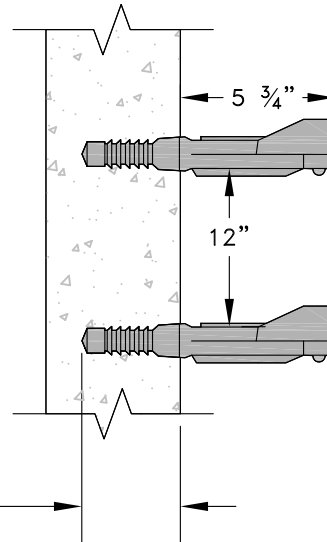
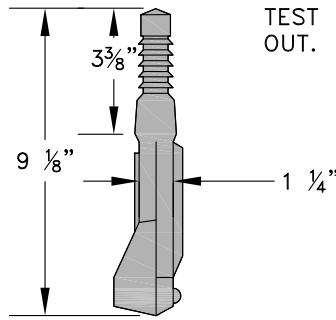


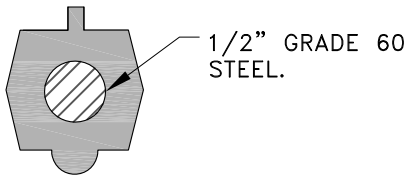
NOTE: MANHOLE STEPS MUST BE TIGHT AND FIRMLY EMBEDDED. THEY MUST ALSO MEET THE ASTM TEST FOR WITHSTANDING PULLING OUT.



COPOLYMER POLYPROPYLENE PLASTIC



3 3/8" FOR PLASTIC SAFETY STEP



MATERIALS:

STEEL REINFORCED POLYPROPYLENE PLASTIC THAT CONFORMS TO ASTM C-478 AND C-497, EXCEPT THAT THE MINIMUM HORIZONTAL PULLOUT LOAD SHALL BE 1500 POUNDS. THE STEEL SHALL BE GRADE 60 1/2-INCH DEFORMED REINFORCING BAR CONFORMING TO ASTM A 615. THE POLYPROPYLENE SHALL CONFORM TO ASTM D 4101. THE POLYPROPYLENE PLASTIC MATERIAL SURROUNDING THE REINFORCING STEEL BAR SHALL BE MONOLITHIC ENCASEMENT, AND HAVE A MINIMUM THICKNESS OVER THE STEEL OF 1/6th INCH.



City of Lake Oswego
Engineering Division

Erica Rooney, P.E. City Engineer

MANHOLE STEP

WW2-04

EFFECTIVE DATE: JANUARY 1, 2018

NOT TO SCALE

DRAWING NUMBER