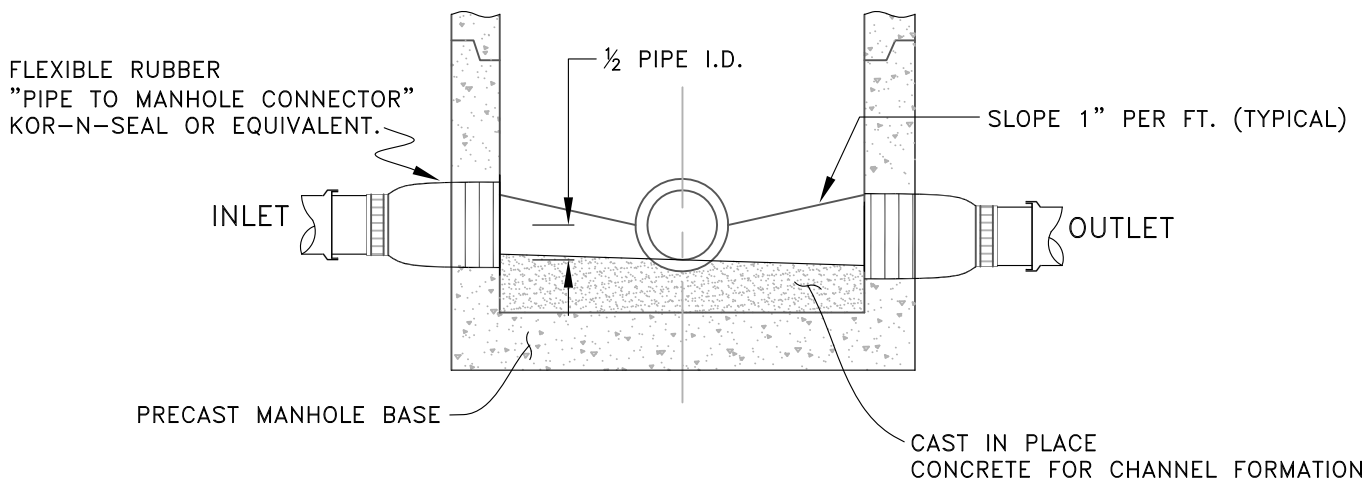


**NOTES:**

- 1) ALL PRECAST SECTIONS SHALL CONFORM TO THE REQUIREMENTS OF ASTM-C-478.
- 2) ALL POURED IN PLACE CONCRETE SHALL HAVE A 28 DAY STRENGTH OF 3,000 P.S.I. .

GENERAL PLAN OF  
CHANNEL SLOPE AND INTERSECTION



City of Lake Oswego  
Engineering Division

Erica Rooney, P.E. City Engineer

**MANHOLE BENCH AND  
CHANNELS**

**WW1-03**

EFFECTIVE DATE: JANUARY 1, 2018

NOT TO SCALE

DRAWING NUMBER