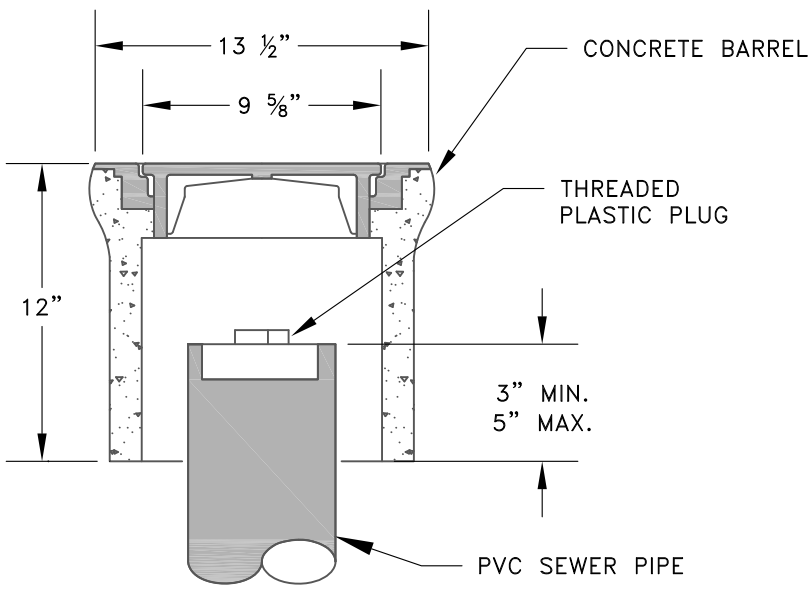
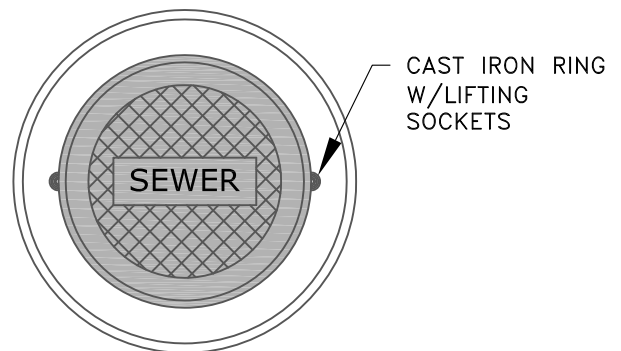


## SECTION VIEW



1. FOR 6" SEWER CLEANOUTS USE BROOKS 1-RT CONCRETE BODY WITH CAST IRON COVER MARKED SEWER.
2. FOR 8" SEWER CLEANOUTS USE CITY DETAIL WW3-02
3. SEE L.O. SPECIAL PROVISIONS FOR TRACER WIRE DETAILS.



City of Lake Oswego  
Engineering Division  
Erica Rooney, P.E. City Engineer

### SANITARY SEWER CLEANOUT (OUTSIDE TRAFFIC AREAS)

# WW3-03

EFFECTIVE DATE: JANUARY 1, 2018

NOT TO SCALE

DRAWING NUMBER