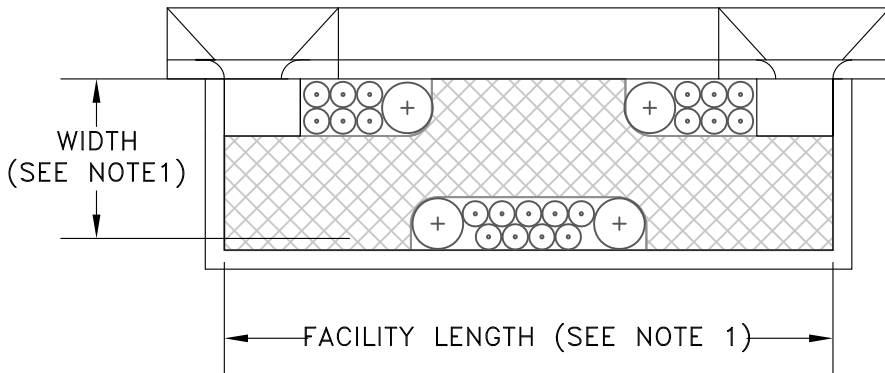

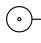
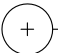


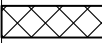
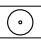
PLANTING PLAN (EXAMPLE)



PLANT LEGEND (EXAMPLE)

	BOTANICAL NAME COMMON NAME
	JUNCUS PATENS SPREADING RUSH
	CAREX OBNUPTA SLOUGH SEDGE
	SPIRAEA DOUGLASII ROSE SPIREA

PLANTING LEGEND

SYMBOL	BOTANIC NAME	COMMON NAME	SPACING	SQ FT AREA	QTY.
	Xxxxxx xxxx	Xxxxx	X	X	X
	Xxxxxx xxxxx	Xxxxx	X	X	X

NOTES:

1. SPECIFY LENGTH AND WIDTH OF FACILITY, IN FT
2. PLANTING LEGEND REFERS TO "ON CENTER" SPACING

DRAWING AND SPECIFICATIONS ADAPTED FROM CITY OF GRESHAM AND CITY OF PORTLAND



City of Lake Oswego
Engineering Division

Erica Rooney, P.E. City Engineer

PLANTING PLAN TEMPLATE (EXAMPLE)

EFFECTIVE DATE: SEPTEMBER 14, 2020 NOT TO SCALE

SD9-14

DRAWING NUMBER