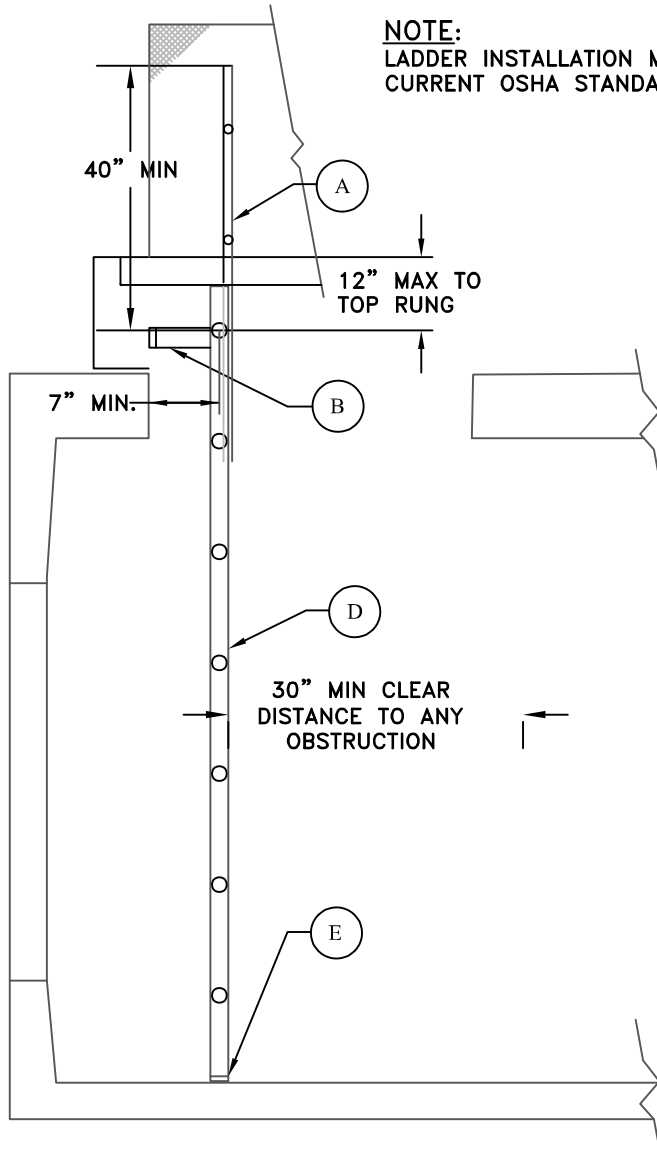
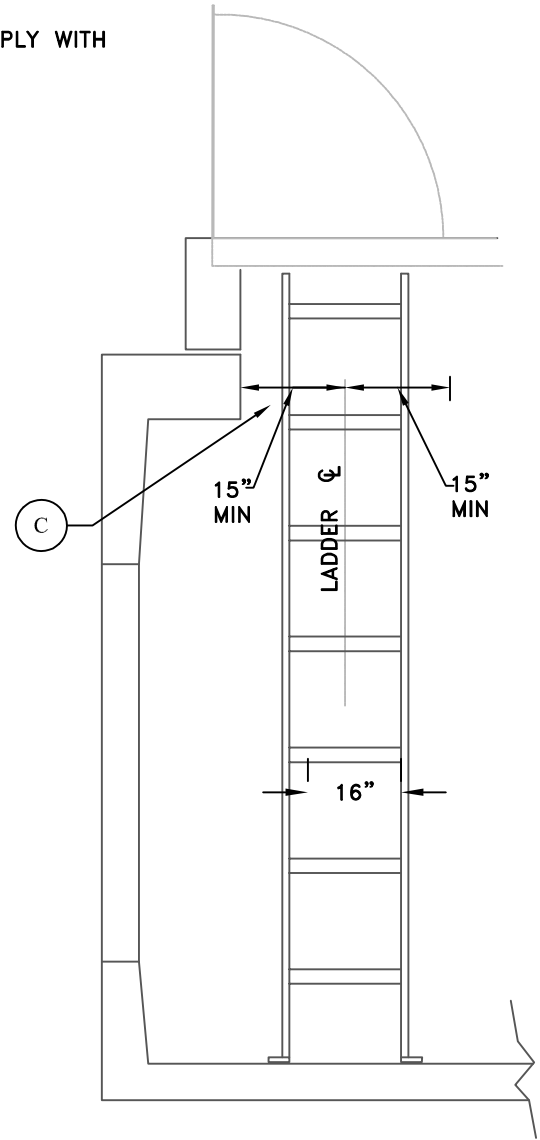


NOTE:
LADDER INSTALLATION MUST COMPLY WITH
CURRENT OSHA STANDARDS



SIDE VIEW



SIDE VIEW

KEYNOTES:

- A. LADDER EXTENSION SHALL BE ALUMINUM AND EXTEND 40" ABOVE THE TOP RUNG OF THE LADDER.
- B. ATTACH LADDER SUPPORT TO INSIDE FACE OF VAULT COVER OPENING WITH STAINLESS STEEL HARDWARE AS SHOWN. CENTERLINE OF RUNG MUST BE SET 7" FROM FACE OF SURFACE BEHIND RUNG. LADDERS SHALL BE ON THE SIDE ADJACENT TO THE DOOR HINGE.
- C. PROVIDE 15" MINIMUM LATERAL CLEARANCE ON EACH SIDE OF THE LADDER CENTERLINE.
- D. LADDER SHALL MEET THE REQUIREMENTS OF OSHA AND SHALL BE HOT DIPPED GALVANIZED AFTER FABRICATION.
- E. LADDER SHALL BE ATTACHED TO FLOOR OF VAULT WITH STAINLESS STEEL HARDWARE PER THE MANUFACTURERS RECOMMENDATIONS.



City of Lake Oswego
Engineering Division

Erica Rooney, P.E. City Engineer

**VAULT LADDER
INSTALLATION**

W9-02

EFFECTIVE DATE: APRIL 2023

NOT TO SCALE

DRAWING NUMBER