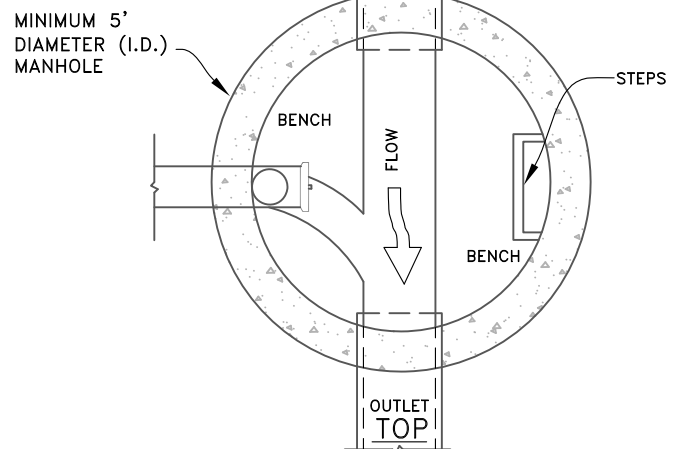


NOTES

- 1) WHEN TYING INTO AN EXISTING MANHOLE, THE BENCH SHALL BE ALTERED TO MODIFY THE FLOW DIRECTION FOR THE NEW INSIDE DROP PIPING AND INVERT.
- 2) THE INVERT FOR THE PIPE ENTERING THE MANHOLE AND AT THE 90° BEND SHALL BE IDENTIFIED ON THE PLANS.



City of Lake Oswego
Engineering Division

Erica Rooney, P.E. City Engineer

**INSIDE DROP
MANHOLE DETAILS**

SD1-01

EFFECTIVE DATE: JANUARY 1, 2018

NOT TO SCALE

DRAWING NUMBER