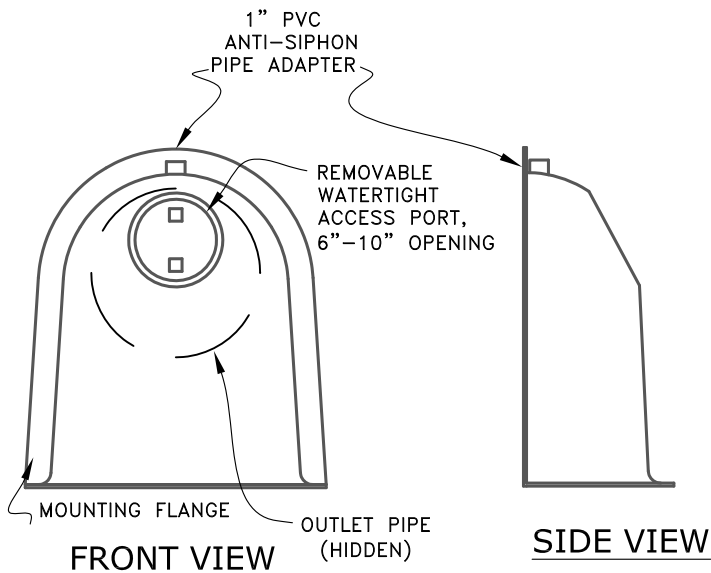


CONFIGURATION DETAIL

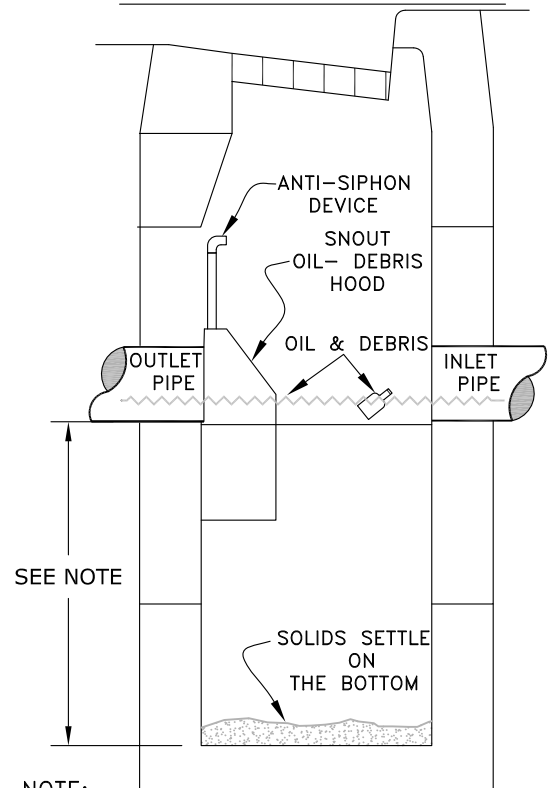


SNOUT OIL-WATER-DEBRIS SEPARATOR

NOTES:

- 1) ALL HOODS AND TRAPS FOR CATCH BASINS AND WATER QUALITY STRUCTURES SHALL BE AS MANUFACTURED BY:
BEST MANAGEMENT PRODUCTS, INC.
53 MT. ARCHER RD.
LYME, CT 06371
(860) 434-0277, (860) 434-3195 FAX
TOLL FREE: (800) 504-8008 OR (888) 354-7585
WEB SITE: www.bestmp.com
OR PRE-APPROVED EQUAL
- 2) ALL HOODS SHALL BE CONSTRUCTED OF A GLASS REINFORCED RESIN COMPOSITE WITH ISO GEL COAT EXTERIOR FINISH WITH A MINIMUM 0.125" LAMINATE THICKNESS.
- 3) ALL HOODS SHALL BE EQUIPPED WITH A WATERTIGHT ACCESS PORT, A MOUNTING FLANGE, AND AN ANTI-SIPHON VENT AS DRAWN. (SEE CONFIGURATION DETAIL)
- 4) THE SIZE AND POSITION OF THE HOOD SHALL BE DETERMINED BY OUTLET PIPE SIZE AS PER MANUFACTURER'S RECOMMENDATION.
- 5) THE BOTTOM OF THE HOOD SHALL EXTEND DOWNWARD A DISTANCE OF 18" FROM I.E. OUT.
- 6) THE ANTI-SIPHON VENT SHALL EXTEND ABOVE HOOD BY MINIMUM OF 3" AND A MAXIMUM OF 24" ACCORDING TO STRUCTURE CONFIGURATION.
- 7) THE SURFACE OF THE STRUCTURE WHERE THE HOOD IS MOUNTED SHALL BE FINISHED SMOOTH AND FREE OF LOOSE MATERIAL.
- 8) THE HOOD SHALL BE SECURELY ATTACHED TO STRUCTURE WALL WITH 3/8" STAINLESS STEEL BOLTS AND OIL-RESISTANT GASKET AS SUPPLIED BY MANUFACTURER. (SEE INSTALLATION DETAIL)
- 9) INSTALLATION INSTRUCTIONS SHALL BE FURNISHED WITH MANUFACTURER SUPPLIED INSTALLATION KIT.
INSTALLATION KIT SHALL INCLUDE:
 - A. INSTALLATION INSTRUCTIONS
 - B. PVC ANTI-SIPHON VENT PIPE AND ADAPTER
 - C. OIL-RESISTANT CRUSHED CELL FOAM GASKET WITH PSA BACKING
 - D. 3/8" STAINLESS STEEL BOLTS
 - E. ANCHOR SHIELDS

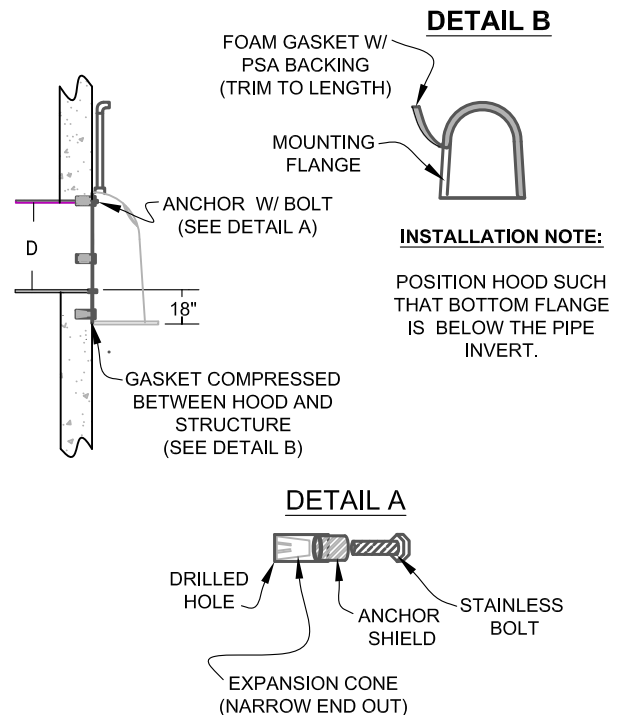
TYPICAL INSTALLATION



NOTE:

SUMP DEPTH OF 36" MIN FOR UP TO 12" ID PIPE OUTLET. FOR PIPES 15" AND ABOVE, SUMP DEPTH 2.5 TO 3 TIMES PIPE ID RECOMMENDED (E.G. 5' DEEP FOR 24" PIPE)

INSTALLATION DETAIL



City of Lake Oswego
Engineering Division

Erica Rooney, P.E. City Engineer

HOOD SPECIFICATIONS FOR CATCH BASINS AND WATER QUALITY STRUCTURES

SD3-01

EFFECTIVE DATE: JANUARY 1, 2018

NOT TO SCALE

DRAWING NUMBER