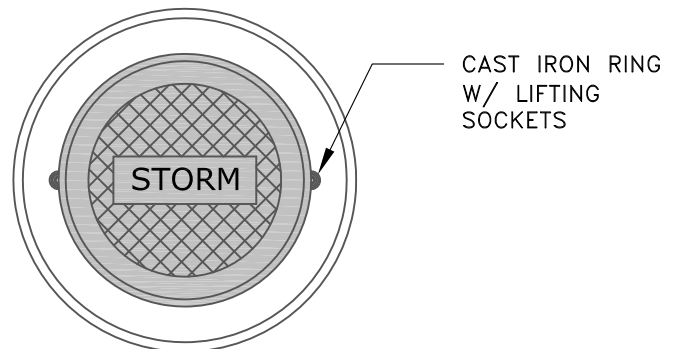
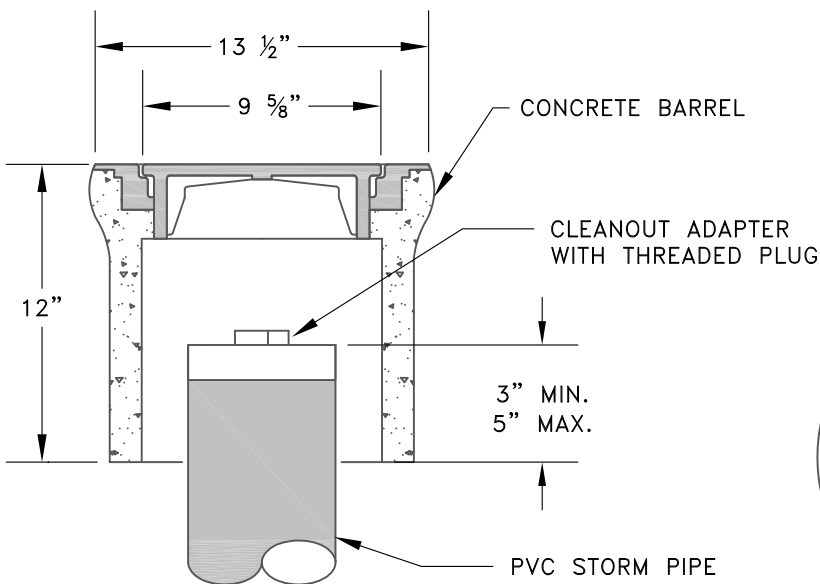


SECTION VIEW

NOTES

- 1) FOR 6" STORM CLEANOUTS USE BROOKS 1-RT CONCRETE BODY WITH CAST IRON COVER MARKED STORM.
- 2) FOR 8" STORM CLEANOUTS USE CITY DETAIL SD4-01A
- 3) IF PLACED AT END OF LINE, USE WYE.
- 4) SEE L.O. SPECIAL PROVISIONS FOR TRACER WIRE DETAILS.



City of Lake Oswego
Engineering Division

Erica Rooney, P.E. City Engineer

TYPICAL STORM SEWER CLEANOUT (OUTSIDE TRAFFIC AREAS)

SD4-01B

EFFECTIVE DATE: JANUARY 1, 2018

NOT TO SCALE

DRAWING NUMBER