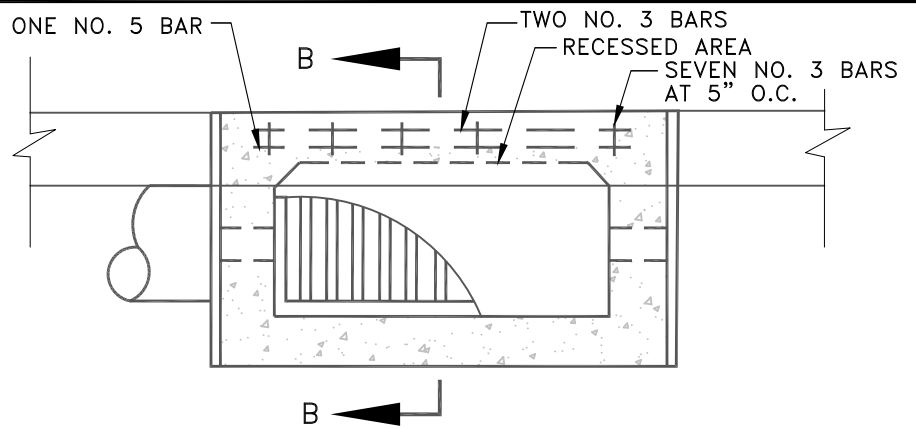
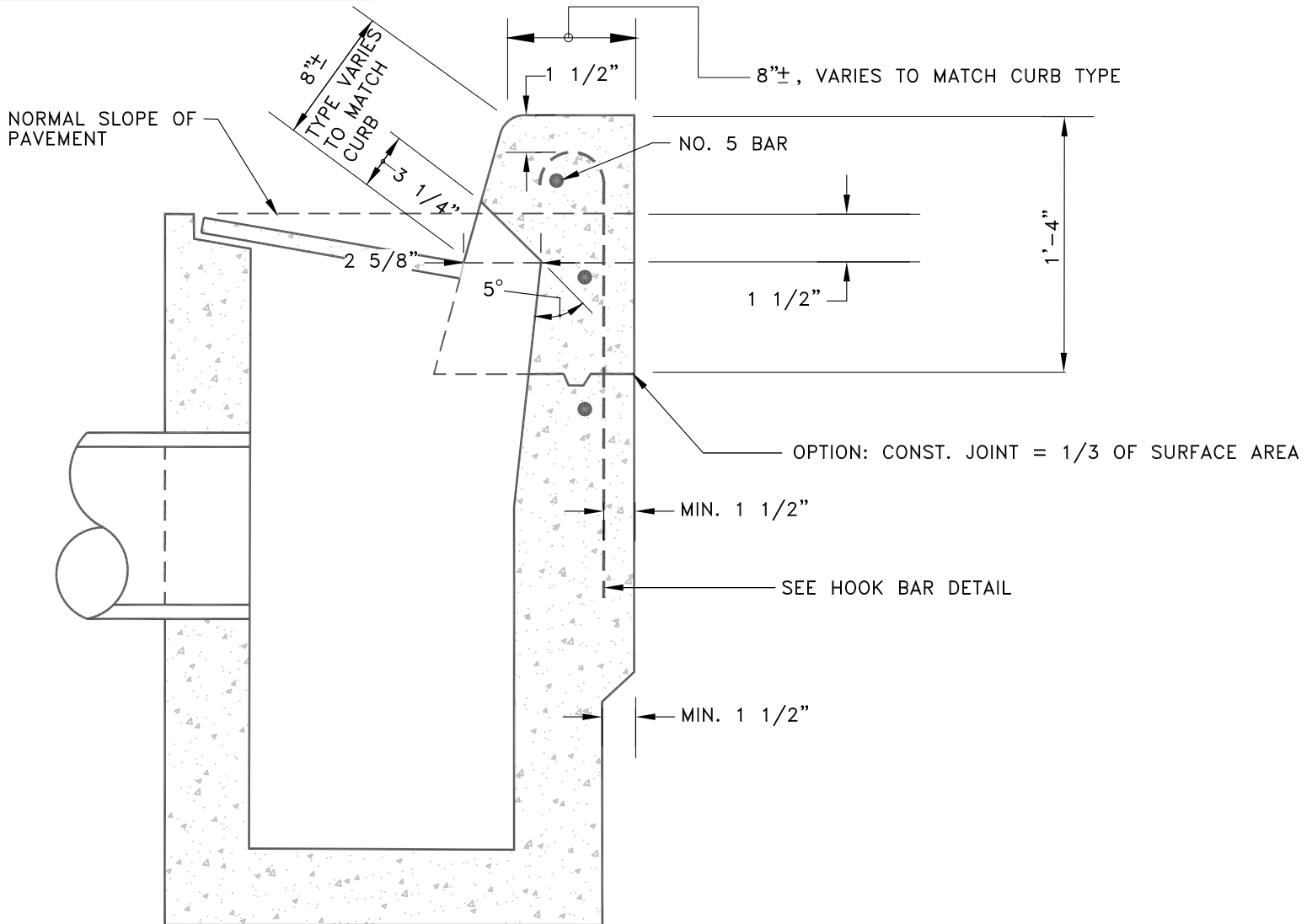


HOOK BAR DETAIL



PLAN



SECTION B-B



City of Lake Oswego
Engineering Division

Erica Rooney, P.E. City Engineer

**CURB AND GUTTER
DETAIL "A"**

SD5-01C

EFFECTIVE DATE: AUGUST 9, 2019

NOT TO SCALE

DRAWING NUMBER