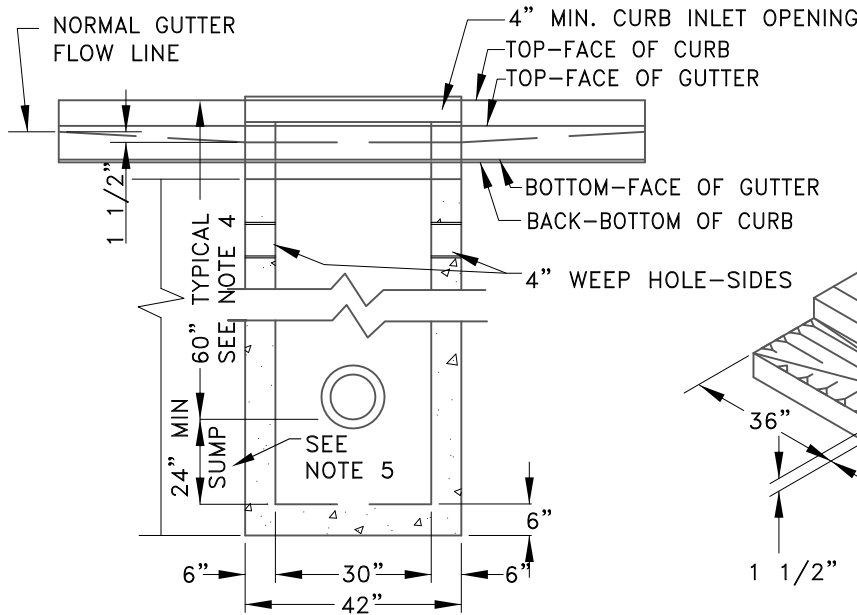
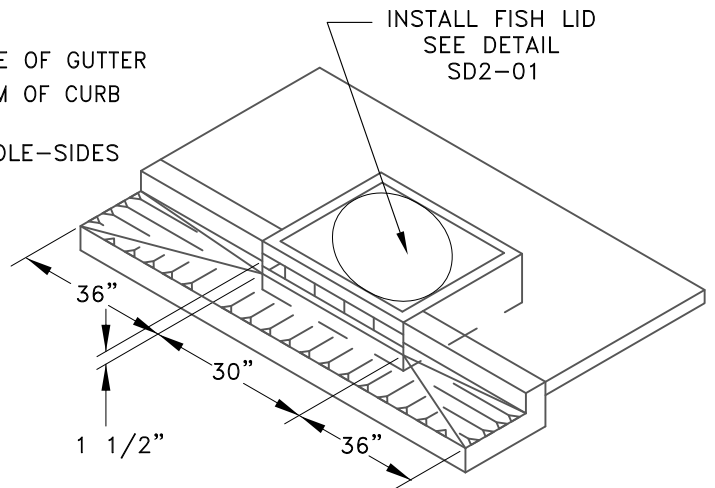


PLAN VIEW



FRONT VIEW



PERSPECTIVE VIEW SHOWING DEPRESSED GUTTER AT CURB INLET

NOTES:

1. ALL FABRICATED METAL PARTS SHALL BE NEW STRUCTURAL, ASTM A-36 STEEL, AND BE HOT-DIPPED GALVANIZED AFTER FABRICATION.
2. ALL POURED IN PLACE CONCRETE SHALL HAVE A 28 DAY STRENGTH OF 3,000 P.S.I.
3. INSTALL STRUCTURE ON MINIMUM OF 8" OF 1'-0" OR 3/4'-0" COMPACTED BASE MATERIAL.
4. 72" MAXIMUM ALLOWED WITH CITY APPROVAL, TO AVOID CONFLICTS WITH EXISTING UTILITIES.
5. MINIMUM SUMP DEPTH IS 24" TYPICAL, 36" MINIMUM DEPTH IF FITTED WITH SNOOT.



City of Lake Oswego
Engineering Division
Erica Rooney, P.E. City Engineer

INLET CATCH BASIN (CG-30)

SD5-03A

EFFECTIVE DATE: JANUARY 1, 2018

NOT TO SCALE

DRAWING NUMBER