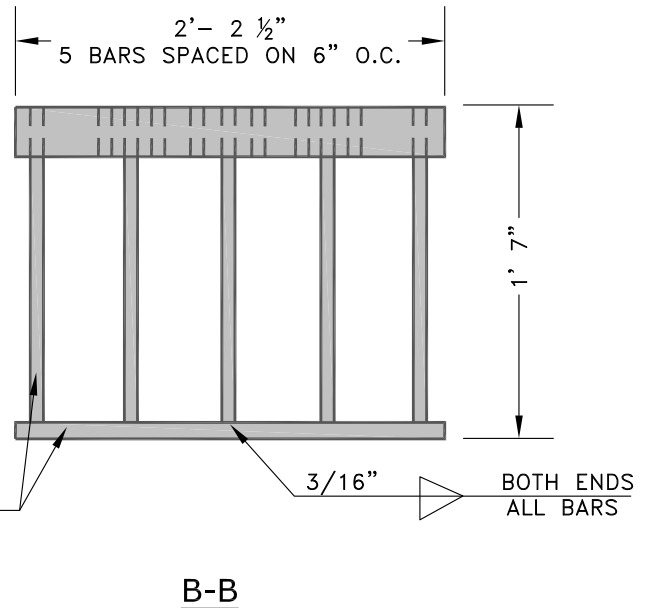
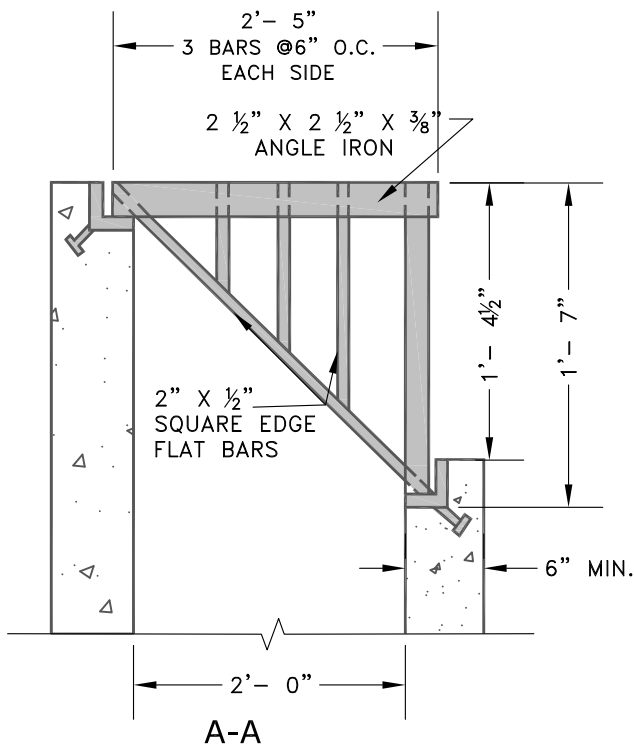


**TOP VIEW**



**B-B**



**A-A**

- NOTES:**
- 1) MATERIAL TO BE NEW STRUCTURAL STEEL, ASTM A-36.
  - 2) USE WITH STANDARD INLET, SD6-01A AS REQUIRED.
  - 3) USE FRAME FOR DITCH INLET, SD6-01B



City of Lake Oswego  
Engineering Division  
Erica Rooney, P.E. City Engineer

**BOX FRAME & GRATE FOR  
DITCH INLET**

**SD6-01C**

EFFECTIVE DATE: JANUARY 1, 2018

NOT TO SCALE

DRAWING NUMBER