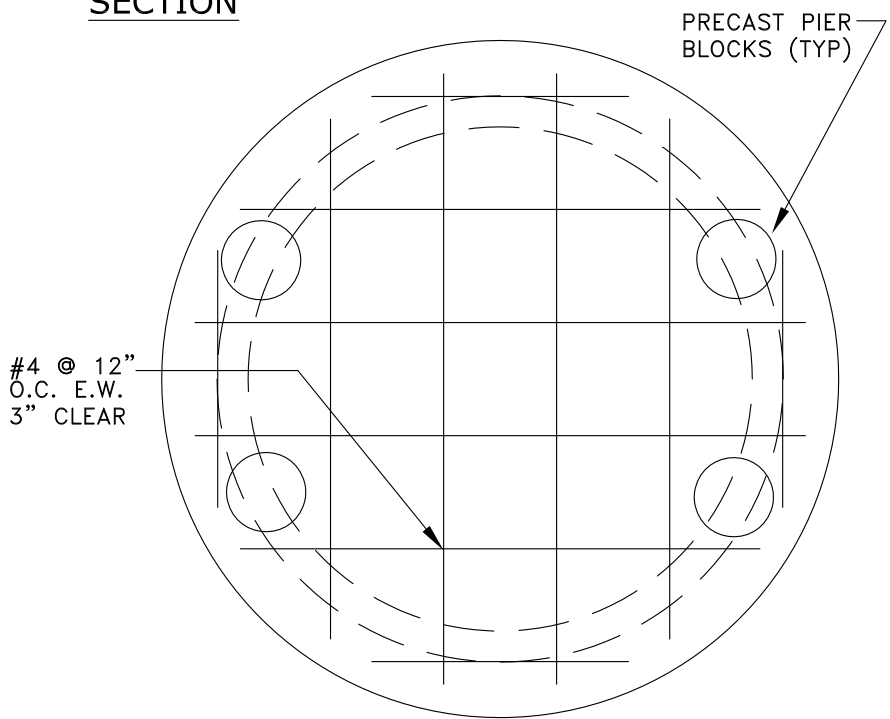


SECTION



BASE REINFORCEMENT PLAN

NOTES:

1. CONSTRUCTION OF CAST-IN-PLACE MANHOLE BASES IS NOT PERMITTED WITHOUT APPROVAL OF THE CITY ENGINEER.
2. WHEN EXISTING PIPE IS PVC OR HDPE, THAT PORTION OF EXISTING PIPE TO BE ENVELOPED IN NON-SHRINK GROUT WITHIN THE "DOGHOUSE" PIPE CUTOUT, SHALL BE CLEANED FOR THE ENTIRE EXISTING PIPE CIRCUMFERENCE, ROUGHENED, AND BE COATED WITH COMPATIBLE GLUE AND SAND.
3. CONCRETE FOR CAST-IN-PLACE MANHOLE BASES SHALL HAVE A MIN COMPRESSIVE STRENGTH OF 3000 PSI.



City of Lake Oswego
 Engineering Division
 Erica Rooney, P.E. City Engineer

**CAST-IN-PLACE
 MANHOLE BASE OVER EXISTING PIPE**

WW1-04