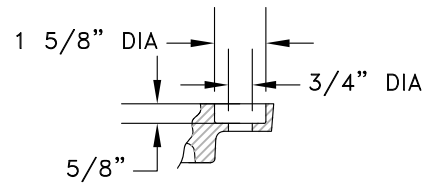
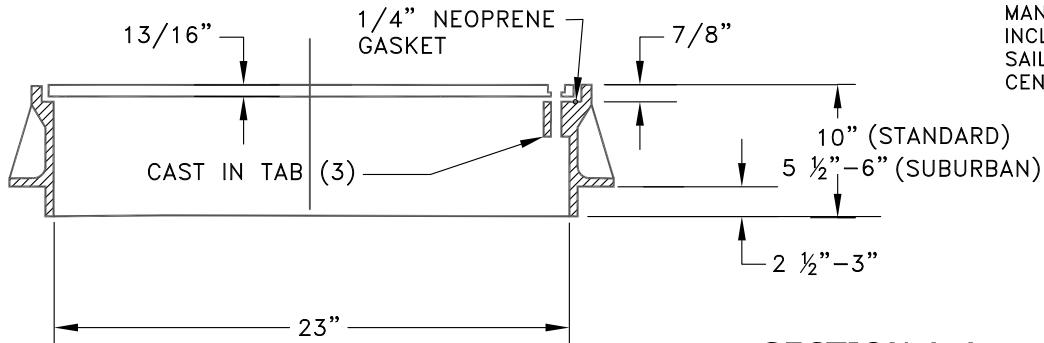


NOTES:

1. MATERIAL SHALL BE OF GRAY CAST IRON ASTM A48 CLASS 35B.
2. MANHOLE FRAME TO BE EJ COMPANY PRODUCT NUMBER 00260113 (SUBURBAN), 00260313 (STANDARD), OR EQUIVALENT.
3. MANHOLE COVER TO BE EJ COMPANY PRODUCT NUMBER 00260370, OR EQUIVALENT.



COVER BOLT HOLE (3)



SECTION A-A

NOTE: ALL WASTEWATER MANHOLE COVERS ARE TO INCLUDE CITY OF L. O. SAILBOAT LOGO CAST INTO CENTER OF LID.



City of Lake Oswego
Engineering Division

Erica Rooney, P.E. City Engineer

**WATERTIGHT MANHOLE
FRAME & COVER**

WW2-03

EFFECTIVE DATE: MARCH 19, 2018

NOT TO SCALE

DRAWING NUMBER