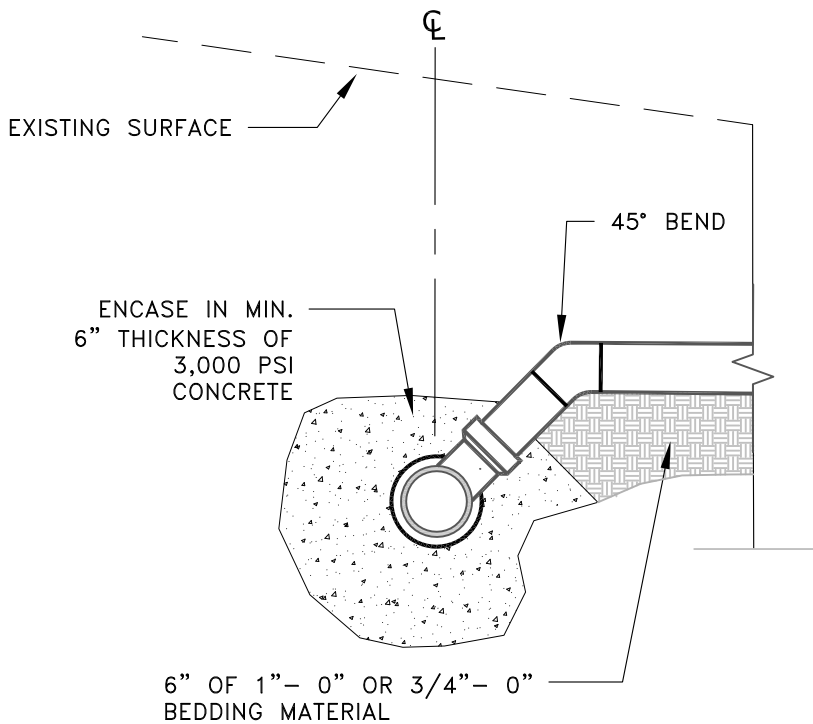


PLAN VIEW



ELEVATION VIEW

PROCEDURE FOR PVC SADDLE BRANCH CONNECTION TO EXPOSED HOST PIPE REHABILITATION LINER

1. PLACE PVC SADDLE BRANCH IN THE DESIRED LOCATION, ON THE EXPOSED HOST PIPE REHABILITATION LINER. USING THE INTERIOR OF THE PVC SADDLE BRANCH AS A TEMPLATE, MARK THE DESIRED LINER HOLE LOCATION ON THE EXTERIOR OF THE HOST PIPE REHABILITATION LINER.
2. USE A HOLE SAW TO CUT $\frac{1}{4}$ " OUTSIDE THE MARKED LINE FROM STEP 1. REMOVE COUPON FROM INSIDE THE PIPE REHABILITATION LINER. WITH A KNIFE OR SCRAPING TOOL, REMOVE ALL BURRS THAT REMAIN AROUND THE HOLE.
3. PLACE PVC SADDLE BRANCH ON THE PIPE REHABILITATION LINER TO ASSURE THE OPENING IS LARGE ENOUGH TO PREVENT OBSTRUCTION. ENLARGE THE HOLE IF APPROPRIATE.
4. CLEAN SURFACES OF PVC SADDLE BRANCH AND PIPE REHABILITATION LINER, WHICH ARE TO BE JOINED, OF ALL DIRT, MOISTURE AND OTHER FOREIGN MATERIALS.
5. APPLY A LIBERAL COAT OF SOLVENT WELD ADHESIVE TO EACH SURFACE TO BE JOINED, IN ACCORDANCE WITH THE MANUFACTURERS DIRECTION.
6. IMMEDIATELY PLACE THE PVC SADDLE BRANCH ONTO THE PIPE REHABILITATION LINER AND ASSURE PROPER POSITIONING. ALTERNATE TIGHTENING OF BOTH STAINLESS STEEL BANDS, USING EQUAL PRESSURE, UNTIL THE PVC SADDLE BRANCH IS SECURELY FASTENED.



City of Lake Oswego
Engineering Division

Erica Rooney, P.E. City Engineer

**SERVICE LATERAL
CONNECTION TO C.I.P.P.
LINED SEWER MAIN**

WW4-04

EFFECTIVE DATE: JANUARY 1, 2018

NOT TO SCALE

DRAWING NUMBER